



LION BRAND® JIFFY, LANDSCAPES, WATERCOLORS & COLORWAVE

“Monster in Law” Poncho



Inspired by the poncho worn by "Charlie" (JLo) in the film "Monster-in-Law", this pretty summer-y cover-up is loosely crocheted in 7 different yarns. It features a wide, open neck, body-hugging fit, lavish fringe.

As in the film, the front point hangs asymmetrically at right hand side of body, the seam is behind left shoulder.

Skill Level: Easy

SIZE

Circumference 26" [66 cm] at neck

Length 15" [38 cm] from neck edge to bottom edge of back, excluding fringe; 21" [53.5 cm] from V at neck edge to point at center front, excluding fringe

MATERIALS

- LION BRAND Jiffy
 - 1 ball #100 White (MC)
 - 1 ball #106 Baby Blue (B)
 - 1 ball #099 Fisherman (D)
 - 1 ball #150 Pearl Grey (F)
 - or colors of your choice
- LION BRAND Landscapes
 - 1 ball #272 Pastel Meadow (A)
 - or color of your choice
- LION BRAND Watercolors
 - 1 ball #300 Shell (C)
 - or color of your choice
- LION BRAND Color Waves
 - 1 skein #398 Pebble Beach (E)
 - or color of your choice
- LION BRAND size P-15 [10 mm] crochet hook OR SIZE TO OBTAIN GAUGE
- LION BRAND large-eyed, blunt needle

GAUGE

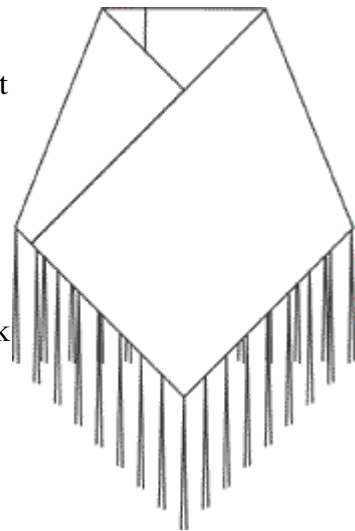
5 dc + 4 rows = 4" [10 cm] with MC.

BE SURE TO CHECK YOUR GAUGE.

Fabric is loosely crocheted and very stretchy; finished garment will measure differently than gauge would indicate.

STITCH EXPLANATION

Base Ch/Sc Start with a slip knot, ch 2, insert hook in 2nd ch from hook, draw up a loop, yo, draw through 1 loop, yo and draw through 2 loops – 1 single crochet with its own chain at bottom. Work next stitch under loops of that chain. Insert hook under 2 loops at bottom of the previous stitch, draw up a loop, yo and draw through 1 loop, yo and draw through 2 loops. Repeat for length of foundation.



NOTE

Poncho begins with a Large Rectangle, with a Small Rectangle added on to make an L-shape. The ends of the “L” are sewn together for back seam.

© 1998-2005 Lion Brand Yarn Company, all rights reserved
 34 West 15th Street, New York, New York 10011
 Call TOLL-FREE 1-800-258-YARN

LARGE RECTANGLE

Starting at neck edge, with MC, Base Ch/Sc 36. Fasten off MC.

Row 1 (RS) Join A in first sc, ch 3 (*counts as dc*), dc in each of next 35 sc; turn – 36 sts. Fasten off A; join B.

Row 2 With B, ch 3, skip first dc, dc in each of next 34 dc, dc in top of turning ch; turn. Fasten off B; join MC.

Rows 3-15 Repeat Row 2, working in the following color sequence: 1 row each of MC, C, D, MC, E, F, MC, C, D, MC, A, B, MC. Do not fasten off MC.

EDGING

Rotate and work across short edge of Large Rectangle. Ch 1, working in row-end sts, work 20 sc evenly spaced across short edge. Fasten off MC.

SMALL RECTANGLE

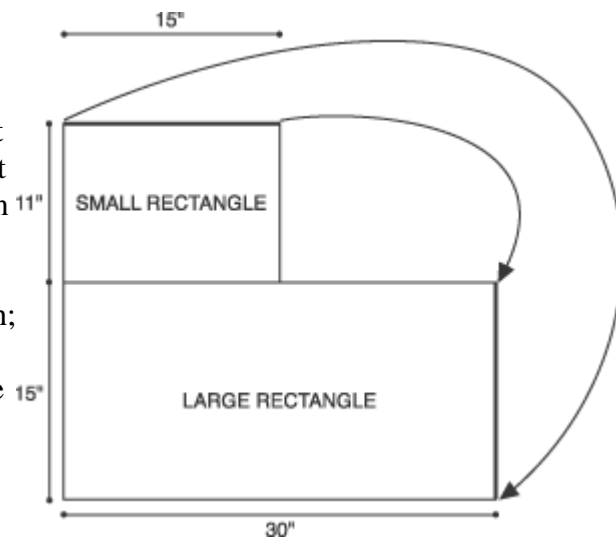
Row 1 (RS) With RS facing, working across opposite side of Base Ch/Sc at neck edge, skip first 18 sts, join D in next ch, ch 3, dc in same ch, dc in each of next 16 ch, 2 dc in last ch; turn – 20 sts. Fasten off D; join C.

Row 2 With C, ch 3, skip first dc, dc in each of next 18 dc, dc in top of turning ch; turn.

Rows 3-11 Repeat Row 2, working in the following color sequence: 1 row each of MC, F, E, MC, D, C, MC, B, A.

Fasten off A; join MC.

Row 12 With MC, ch 1, sc in first dc, sc in each of next 18 dc, sc top of turning ch; turn – 20 sts. Fasten off, leaving an 18" [45.5 cm] tail for sewing.

**FINISHING**

Weave in ends. With RS facing, matching sts across last (sc) row of Small Rectangle with Edging on short edge of Large Rectangle, using tail, sew back seam.

NECK EDGE (optional)

Note Neck edge is very stretchy. If your shoulders are narrow or you want a more manageable neck, feel free to work the following round with a smaller hook and tighten up the neck as desired.

Round 1 With RS facing, join MC in first st on neck edge to the right of back seam, ch 1, sc in same row-end st, sc in each of 18 ch across neck edge of Large Rectangle, work 17 sc evenly spaced across 11 row-end sts on side edge of Small Rectangle; join with slip st in first sc – 36 sc. Fasten off MC. Weave in ends.

FRINGE

© 1998-2005 Lion Brand Yarn Company, all rights reserved
34 West 15th Street, New York, New York 10011
Call TOLL-FREE 1-800-258-YARN

Cut remaining yarn into 20" [51 cm] lengths, 100 assorted strands (at least 25 in MC). Using 4 strands for each Fringe (include 1 MC strand in each), attach 1 Fringe in every other row-end dc on right side of Poncho and in every 3rd space between sts across left side of Poncho. Attach Fringe as follows: hold 4 strands of yarn together and fold in half. Use crochet hook to draw fold through edge of Poncho, forming a loop. Pull ends of fringe through this loop. Pull to tighten. Trim fringe even.

ABBREVIATIONS:	
ch = chain	sc = single crochet
dc = double crochet	st(s) = stitch(es)
MC = main color	yo = yarn over
RS = right side	

**Jiffy, Article #450 is a light bulky weight yarn, 100% acrylic, that comes in 2.5 oz./70g (115 yd/103m) balls for multi-colors & Heather Blue or 3 oz./85g (135 yd/123m) balls for all other colors*

**Landscapes (Article #540) is packaged in 1 3/4 oz [50 g]/55 yd [50 m] balls*

**Color Waves (Article #940) Color Waves is a soft, bulky weight, bouclé yarn of 73% Acrylic/17% Polyester. It comes in 3 oz/85g; 125 yards balls*

**Watercolors (Article #980) A soft yarn with subtle hints of color to make fabric that looks like an impressionistic painting. Bulky Weight; 65% Acrylic, 35% merino wool Packaged in 1.75 oz/50g; 55 yd/50 m skeins*

Every effort has been made to have the knitting and crochet instructions accurate and

Every effort has been made to have the knitting and crochet instructions accurate and complete. We cannot be responsible for variance of individual knitters and crocheters, human errors, or typographical mistakes.

© 1998-2005 Lion Brand Yarn Company, all rights reserved
 34 West 15th Street, New York, New York 10011
 Call TOLL-FREE 1-800-258-YARN

No pattern or other material may be reproduced – mechanically, electronically or by any other means, including photocopying – without written permission of Lion Brand Yarn Company